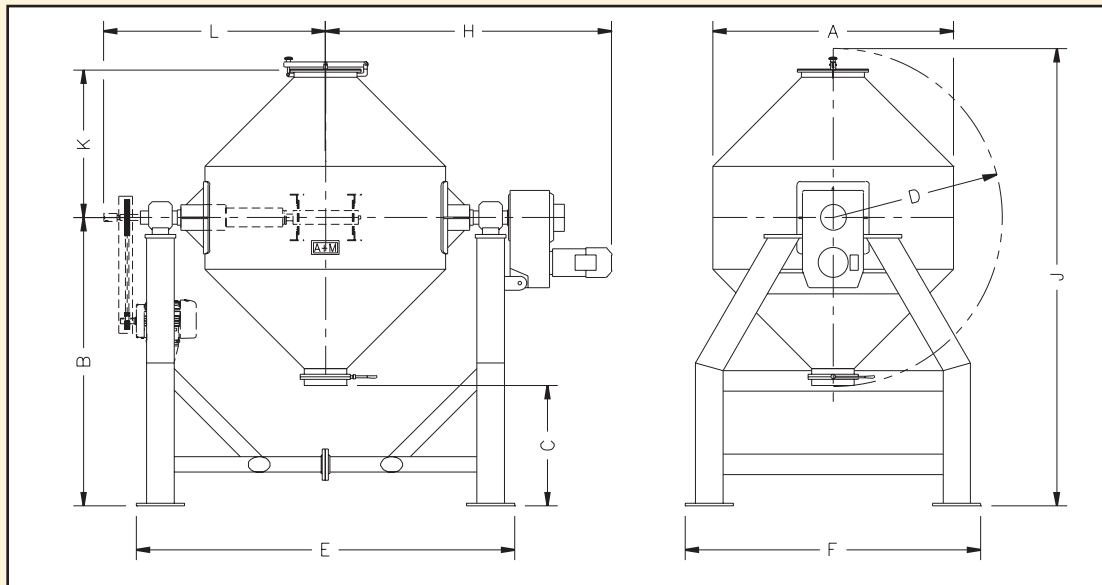


# Conical and V-Shell Blenders

## Design Specifications

### CONICAL BLENDER

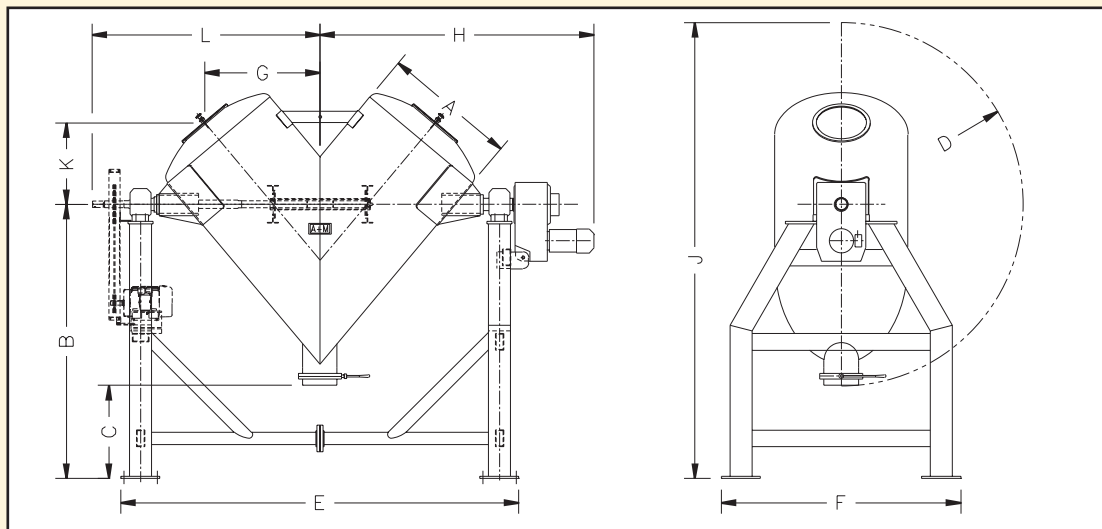
- \* DIMENSIONS SUBJECT TO CERTIFICATION BY A&M PROCESS EQUIPMENT
- \*\* DIMENSIONS APPLIES TO MODELS EQUIPPED WITH INTENSIFIER BAR.
- \*\*\* FOR 1 TO 5 CUBIC FOOT SIZES REFER TO OUR PORTABLE BLENDER BROCHURE



Model	Cu. Ft Cap	A	B	C	D	E	F	H	J	K	**L	Discharge Size	Mtr. HP	Bl'nd rpm	Int. Mtr. HP	Max. Den.
ACB100	10	39	63 3/4	36	27 1/4	66	53 3/4	59 3/4	90 1/2	18 1/2	49 1/8	8	2	27	3	80
ACB200	20	49	70	36	34 1/4	78	52	67 1/2	104 1/4	25 1/2	54	8	3	23	5	55
ACB300	30	56	73 1/2	36	37 3/4	95	74	71	111 1/4	30	57 3/4	10	5	23	7 1/2	50
ACB400	40	62	78	36	42	99	74	78 1/2	119 1/2	34 1/4	59 5/8	10	7 1/2	20	7 1/2	100
ACB500	50	66	80 1/2	36	44 3/4	105	74	81	125 1/4	37	62 5/8	10	7 1/2	20	10	70
ACB600	60	70	82 1/2	36	47	109	90	82 3/4	129 1/2	40	64 1/2	12	7 1/2	20	15	60
ACB750	75	76	85 1/2	36	49 7/8	119	90	87 1/2	135 3/8	43	70 5/8	12	7 1/2	16	15	60
ACB1000	100	84	91 7/8	36	55 7/8	127	104	92 3/4	147 3/4	49	74 5/8	12	10	15	20	50
ACB1250	125	90	71 3/4	12	59 7/8	136	104	99	131 5/8	53	77	12	15	14	25	50
ACB1500	150	96	75 3/4	12	63 3/4	142	104	102 1/2	139 1/2	57	80 1/2	12	15	7	25	50

### V-SHELL BLENDER

- \* DIMENSIONS SUBJECT TO CERTIFICATION BY A&M PROCESS EQUIPMENT
- \*\* DIMENSIONS APPLIES TO MODELS EQUIPPED WITH INTENSIFIER BAR.
- \*\*\* FOR 1 TO 5 CUBIC FOOT SIZES REFER TO OUR PORTABLE BLENDER BROCHURE



Model	Cu. Ft Cap	A	B	C	D	E	F	G	H	J	K	**L	Discharge Size	Mtr. HP	Bl'nd rpm	Int. Mtr. HP	Max. Den.
ATS100	10	24	71	36	31 3/4	75	54 1/8	21 1/2	52 7/8	102 3/4	16	54 1/2	8	2	20	3	75
ATS200	20	30	78 7/8	36	39 7/8	98	54 1/2	25 1/4	60 3/4	113 3/4	17 1/4	61	8	3	17	5	65
ATS300	30	36	85 7/8	36	47	114 1/2	74	30 7/8	79 5/8	132 7/8	21 1/2	67	10	5	15	7 1/2	55
ATS400	40	40	91	36	52 1/8	123	74	35	84	143	24 1/2	71 1/4	10	5	14	7 1/2	55
ATS500	50	42	91	36	52 1/8	123	74	36 1/4	85 1/2	143	26	73	10	5	14	10	55
ATS600	60	45	96 1/2	36	57 1/2	136	90	39 1/8	95 3/4	154	28	77 1/2	12	7 1/2	20	15	50
ATS750	75	48	100 1/4	36	61 3/8	142 1/2	90	41	100 3/8	161 5/8	28 3/4	81 3/4	12	7 1/2	11	15	50
ATS1000	100	54	107 1/4	36	68 3/8	152 1/4	104	45 5/8	105 3/8	175 5/8	31 7/8	86 3/4	12	7 1/2	8	20	50
ATS1250	125	57	87	12	71 7/8	161 3/4	104	48 3/4	111	159	35 1/4	98 1/4	12	10	8	25	50
ATS1500	150	60	90 1/8	12	75	167 1/2	104	50 5/16	113 5/8	164 5/8	36	91 3/4	12	10	7	25	50