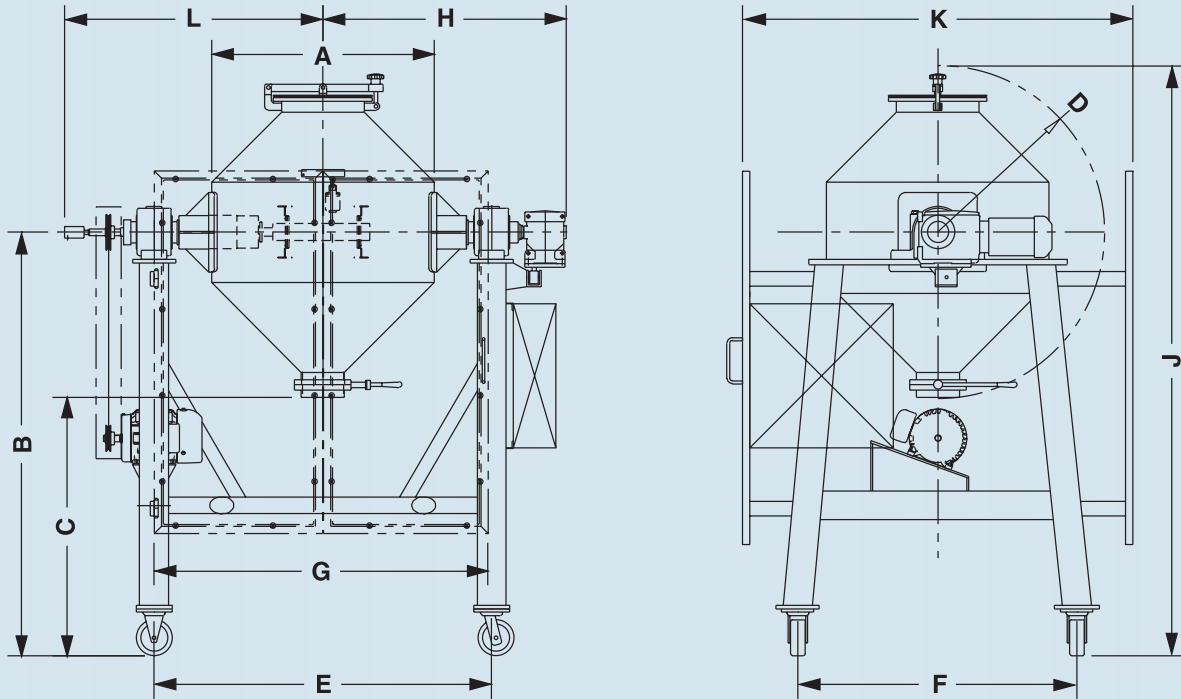
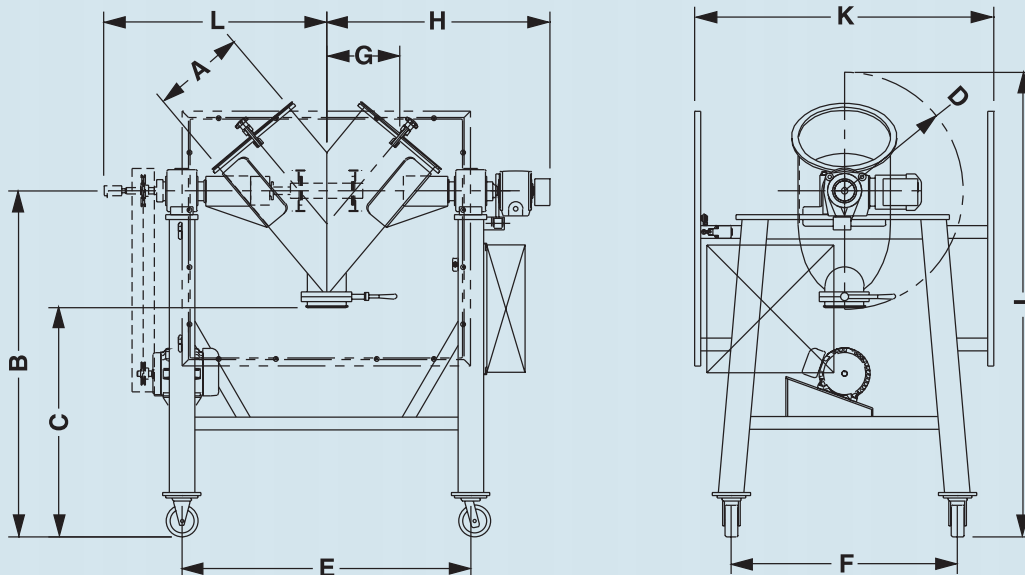


CONICAL PORTABLE BLENDERS



Model	Cu. Ft. Cap	A	B	C	D	E	F	G	H	J	K	** L	Dis-Charge Size	Mtr. HP	Blnd RPM	Int. Mtr. HP	Int. RPM	Max. Den
ACB10	1	18	51 1/2	36	15 5/8	33 3/4	28	33 3/4	28 3/4	67 1/8	37 1/2	29 3/8	4	1/3	30	1	1300	150
ACB20	2	23	54 3/4	36	18 7/8	38 3/4	35 5/8	38 3/4	31 1/2	73 5/8	47	31 7/8	4	1/2	30	1	1300	125
ACB30	3	27	56 1/2	36	21 3/8	42 3/4	38 1/4	42 3/4	33 1/2	77 1/4	50 3/8	33	6	3/4	30	1	1300	125
ACB50	5	31	59 1/2	36	23 1/4	47	39 1/4	46 1/2	36 1/4	82 3/4	54 3/8	36	6	1	30	1 1/2	1300	60

V-SHELL PORTABLE BLENDERS



Model	Cu. Ft. Cap	A	B	C	D	E	F	G	H	J	K	** L	Dis-Charge Size	Mtr. HP	Blnd RPM	Int. Mtr. HP	Int. RPM	Max. Den
ATS10	1	11 1/2	52 1/8	36	16 1/2	38 1/2	28	9 3/8	31	68 5/8	38 1/2	31 3/4	4	1/3	30	1	1300	125
ATS20	2	14 1/2	57	36	21	48	36 1/2	11 1/2	35	78	48	35	4	1/2	25	1	1300	115
ATS30	3	16 1/2	59 1/8	36	23 3/8	50 7/8	38 1/2	14	37 1/2	82 1/2	52 3/4	37	6	3/4	25	1	1300	100
ATS50	5	19 1/2	62 7/8	36	27	57	39 1/8	16	40 1/2	89 7/8	60	40	6	1	25	1 1/2	1300	80

* DIMENSIONS SUBJECT TO CERTIFICATION BY A & M PROCESS EQUIPMENT.

** DIMENSION APPLIES TO MODELS EQUIPPED WITH INTENSIFIER BAR.