

SERVOLIFT

Experts in Process, Handling & Design

Sanitary Drum Nests

Everything clean around the drum....

SERVOLIFT drum nests offer a cost effective solution to handling and discharging drums. With a nest installed above every discharge point (such as a screener or tablet press), load the drum/funnel into the nest and remove the mobile lifter from the area to service another nest system...one lifter can do the work of 5 or more stationary lifters!



SERVOLIFT
Experts in Process, Handling & Design

SERVOLIFT
35 Righter Road
Randolph, NJ 07869
Ph: 973-442-7878 - www.servo-lift.com

The Advantage: Proven Designs - Fully Customized - Unmatched Experience

Profile

Servolift hygienic drum nests are a logical solution when using a Servolift stationary post host is not economically feasible. Our drum nests come in all possible variations, such as a simple nest on top of a tablet press, to a manual or powered lifting unit with rotational base.

We can provide our line of stainless drums and funnels or use your existing drums and funnels. Additionally we can provide a custom funnel for any drum your currently use.

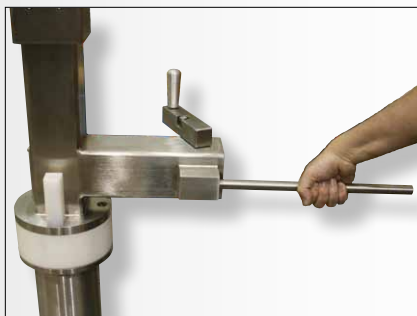
OPTIONS

- Made-to-order height & overhang
- Static post or swivel
- Manual crank lift or power lift
- Floor, wall or machine supported nest
- Powered control of butterfly valve
- Dual drum nests

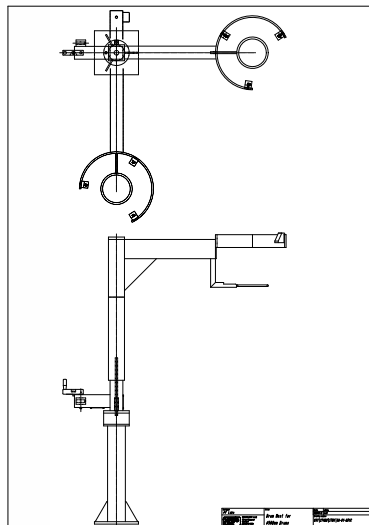
Optional manual lift: totally enclosed drive with self locking handle.



Optional swivel unit: pull out bar, insert into hole and rotate unit. Replace bar and unit is locked into position.



Each nest is custom made to the exact application.



Combine with Servolift's mobile drum lifters for an economic and GMP handling solution

